

## Grease pump, pressure ratio 55:1

Air operated grease pump. For mobile equipment. Bung adapter G 2" included.

### Technical data

<b>Capacity</b>	600 gr/min
<b>Air connection</b>	1/4" (F) BSP
<b>Maximum air pressure</b>	1 (10) MPa (bar)
<b>Recommended air pressure</b>	0,4 (4) - 0,7 (7) MPa (bar)
<b>Outlet</b>	1/4" (F) BSP
<b>Ratio</b>	55:1

Part No	For container	Length
12540	12-20 kg	710 mm
12541	50 kg	925 mm
12542	180 kg	1120 mm



## Grease pump, pressure ratio 60:1

Air operated grease pump. For both mobile and fixed installations. Bung adapter G 2" included.

### Technical data

<b>Capacity</b>	1000 gr/min
<b>Air connection</b>	1/4" (F) BSP
<b>Maximum air pressure</b>	1,0 (10) MPa (bar)
<b>Recommended air pressure</b>	0,4 (4) - 0,7 (7) MPa (bar)
<b>Outlet</b>	3/8" (F) BSP
<b>Ratio</b>	60:1

Part No	For container	Length
12750	12-20 kg	700 mm
12751	50 kg	1000 mm
12752	180 kg	1180 mm



## Divorced grease pumps 60:1

Air operated grease pump with separated air motor from pump tube. Avoids "sticky" grease to enter into the air motor. For both mobile and fixed installations. Bung adapter G 2" included.

### Technical data

<b>Capacity</b>	1000 gr/min
<b>Air connection</b>	1/4" (F) BSP
<b>Maximum air pressure</b>	1,0 (10) MPa (bar)
<b>Recommended air pressure</b>	0,4 (4) - 0,7 (7) MPa (bar)
<b>Outlet</b>	3/8" (F) BSP
<b>Ratio</b>	60:1

Part No	For container	Length
12650	12- 20 kg	890 mm
12651	50 kg	1190 mm
12652	180 kg	1370 mm



## Grease pump, pressure ratio 80:1

Air operated grease pump. For both mobile and fixed installations. Bung adapter G 2" included.

### Technical data

<b>Capacity</b>	730 gr/min
<b>Air connection</b>	1/4" (F) BSP
<b>Maximum air pressure</b>	1,0 (10) MPa (bar)
<b>Recommended air pressure</b>	0,4 (4) - 0,7 (7) MPa (bar)
<b>Outlet</b>	3/8" (F) BSP
<b>Ratio</b>	80:1

Part No	For container	Length
12755	12-20 kg	700 mm
12756	50 kg	1000 mm
12757	180 kg	1180 mm



## Heavy duty grease pumps (4 1/2" air motor)

High capacity heavy duty grease pump for simultaneous fluid distribution to multiple dispense points, or for pumping long distances (up to 100m). Heavy duty pumps should be used together with pump ram system.

### Technical data

<b>Air connection</b>	1/2" (F) BSP
<b>Outlet</b>	1/2" (F) BSP

Part No	For container	Capacity	Maximum air pressure	Ratio
12825	180 kg	16000 gr/min	1,4 (14) MPa (bar)	25:1
12820	Bulk	11000 gr/min	1,4 (14) MPa (bar)	40:1
12822	180 kg	11000 gr/min	1,4 (14) MPa (bar)	40:1
12821	50 kg	11000 gr/min	1,4 (14) MPa (bar)	40:1
12832	180 kg	7500 gr/min	0,7 (7) MPa (bar)	70:1
12831	50 kg	7500 gr/min	0,7 (7) MPa (bar)	70:1
12830	Bulk kg	7500 gr/min	0,7 (7) MPa (bar)	70:1



## Heavy duty grease pumps (6" air motor)

High capacity heavy duty grease pump for simultaneous fluid distribution to multiple dispense points, or for pumping large distances (up to 100m). Heavy duty pumps should be used together with pump ram system.

### Technical data

<b>Air connection</b>	1/2" (F) BSP
<b>Outlet</b>	1/2" (F) BSP

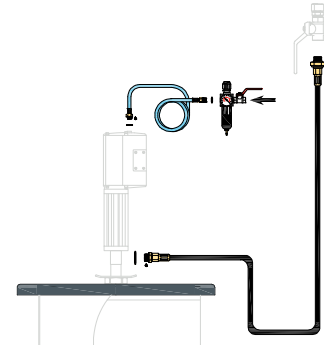
Part No	For container	Capacity	Maximum air pressure	Ratio
12842	180 kg	8000 gr/min	0,7 (7) MPa (bar)	80:1
12840	Bulk	40000 gr/min	0,7 (7) MPa (bar)	12:1
12841	50 kg	8000 gr/min	0,7 (7) MPa (bar)	80:1



## Installation kit for pump in drums

Includes all the necessary components to install an air operated grease pump in a drum and connect to the air supply and distribution pipework. (Pump and follower plate not included).

Part No	Description
99601	Installation kit grease for 180 kg drums. (127 series)
99602	Installation kit grease for 50 kg drums. (127 series)
99604	Installation kit grease for 20 kg drums. (127 series)
99611	Installation kit grease for 180 kg drums. (128 series)
99612	Installation kit grease for 50 kg drums. (128 series)



## Follower plates

Eliminate cavitation and help pump priming. Rubber flange minimises waste by wiping the inner drum wall. Can be used with pump tube diameters 26-42 mm.

Part No	For container	Dimension	Pump
18569	12,5 kg	230-260 mm	127-ser
18570	18-20 kg	265-290 mm	127-ser
18575	25 kg	300-330 mm	127-ser
18571	50 kg	340-360 mm	127-ser
18572	50 kg	365-395 mm	127-ser
18573	180 kg	560-590 mm	127-ser
18576	50 kg	330-370 mm	128-ser
18577	50 kg	360-405 mm	128-ser
18578	180 kg	550-590 mm	128-ser



## Two post ram

Function like a lift, but also exert downward force. Ram air cylinders push pump and follower plate into the fluid. The rams feature two-posts that exert downward force on pump to maintain prime. It also lifts the pump to ease change over of empty fluid containers. Kit includes pump, follower plate and ram.

### Technical data

Length	610 mm
Width	991 mm
Height	1320 - 2500 mm

Part No	Description	For container
18300	Two post ram without pump	185 kg
18340	Two post ram with pump 40:1	185 kg
18370	Two post ram with pump 70:1	185 kg



## Single post ram

Gravity assisted pump ram, the weight of the pump and accessories create a pressure on the grease and aiding pump prime. Ram also lifts pump to ease change over of empty fluid containers. Kit includes pump, follower plate and ram.

### Technical data

**Height** 1630 - 2630 mm

Part No	Description	For container
18400	One post hoist with follower plate without pump.	-
18440	Single post ram with pump 12822 40:1.	50 kg
18470	Single post ram with pump 12832 70:1.	185 kg



## Pump hoist

Pump hoist for heavy duty pumps, making drum changes faster, easier and safer. The risk of contaminants from the pump being placed on the floor during drum changes is eliminated. The arm can swing freely serving up to three drums. Only for heavy duty pumps with eye bolt.

### Technical data

**Height** 1630 - 2630 mm

Part No	Description
18305	One post pump hoist



## Pump ram for sticky grease 12-20 kg

Mobile unit designed for use with hard to pump, sticky and high viscosity greases up to NLGI 3. A pneumatic piston elevates the pump for replacing an empty pail. The pneumatic piston also pushes down when the pump is in use.

Part No	Description
18200	Mobile pump hoist 12-20Kg with pump



## Series ORM

Robust open hose reel made of lacquered steel sheet with oil -resistant reinforced hose. Can be equipped with pivotable bracket, article no 28913. For mounting in any position on wall or ceiling. Recommended mounting height, at least 2.5m above floor. For more information, see Chapter 8 hose reels.

Part No	Dimension	Maximum working pressure	Media	Hose length
15125	10 (3/8") mm (inch)	40 (400) MPa (bar)	Grease	15 m



## Series ORS

Open hose reel with low weight made of aluminum with oil -resistant reinforced hose. Can be equipped with pivotable bracket, article no 28913. For mounting in any position on wall or ceiling. Recommended mounting height, at least 2.5m above floor. For more information, see Chapter 8 hose reels.

Part No	Dimension	Maximum working pressure	Media	Hose length
15212	6,25 (1/4") mm (inch)	35 (350) MPa (bar)	Grease	10 m
15225	10 (3/8") mm (inch)	35 (350) MPa (bar)	Grease	15 m



## Series OR

Open hose reel made of lacquered steel sheet with oil -resistant reinforced hose. Can be equipped with pivotable bracket, article no 28902. For mounting in any position on wall or ceiling. Recommended mounting height, at least 2.5m above floor. For more information, see Chapter 8 hose reels.

Part No	Dimension	Maximum working pressure	Media	Hose length
15325	10 (3/8") mm (inch)	40 (400) MPa (bar)	Grease	15 m



## Series LOR

Open hose reel made of lacquered steel sheet with oil -resistant reinforced hose. Can be equipped with pivotable bracket, article no 28904. For mounting in any position on wall or ceiling. Recommended mounting height at least 2.5m above floor. For more information, see Chapter 8 hose reels.

Part No	Dimension	Maximum working pressure	Media	Hose length
15527	10 (3/8") mm (inch)	40 (400) MPa (bar)	Grease	25 m



## Series ORL

Robust open hose reel made of lacquered steel sheet with oil -resistant reinforced hose. Can be equipped with pivotable bracket, article no 28913. For mounting in any position on wall or ceiling. Recommended mounting height, at least 2.5m above floor. For more information, see Chapter 8 hose reels.

Part No	Dimension	Maximum working pressure	Media	Hose length
15436	12,5 (1/2") mm (inch)	27,5 (275) MPa (bar)	Grease	20 m



## Series CRO

Cased hose reel made of aluminum with oil -resistant reinforced hose. Can be equipped with pivotable bracket, article no 28913. For mounting in any position on wall or ceiling. Recommended mounting height at least 2.5m above floor. For more information, see Chapter 8 hose reels.

Part No	Dimension	Maximum working pressure	Media	Hose length
16212	6,35 (1/4") mm (inch)	35 (350) MPa (bar)	Grease	10 m
16225	10 (3/8") mm (inch)	35 (350) MPa (bar)	Grease	15 m



## Series CRK

Cased hose reel made of lacquered steel sheet with oil -resistant reinforced hose. Can be equipped with pivotable bracket, article no 28913. For mounting in any position on wall or ceiling. Recommended mounting height at least 2.5m above floor. For more information, see Chapter 8 hose reels.

Part No	Dimension	Maximum working pressure	Media	Hose length
16412	6,35 (1/4") mm (inch)	35 (350) MPa (bar)	Grease	10 m
16425	10 (3/8") mm (inch)	35 (350) MPa (bar)	Grease	15 m



## Grease control valve

Control valve with outlet tube or hose and hydraulic nozzle.

Part No	Maximum working pressure	Connection
14612	50 (500) MPa (bar)	1/4" (F) BSP
14615	50 (500) MPa (bar)	1/4" (F) BSP
99600	50 (500) MPa (bar)	1/4" (F) BSP

14612



14615



99600



## Grease control valves - high pressure

Pressure can be increased to 80 MPa (800 bar) by pumping the handle. **Note! Do not use with outlet hose.**

Part No	Maximum working pressure	Connection
14626	50 (500) MPa (bar)	1/8" (F) BSP



## Grease meter

Digital grease meter, equipped with current dispense display and resettable and non-resettable totalisors. Digital display powered by two 1,5 V AAA batteries. Accuracy +/- 3 %.

Part No	Capacity	Maximum working pressure	Connection
14720	1000 gr/min	50 (500) MPa (bar)	1/4" (F) BSP
14710	1000 gr/min	50 (500) MPa (bar)	1/8" (F) BSP

14720



14710



## Swivels for grease

Makes it possible to handle grease hoses with ease even at high pressure. For best results use a straight swivel between pump and distribution hose and a Z-swivel between hose and grease control valve.

Part No	Thread	Maximum working pressure
18070	1/4" (F)-(M) BSP	50 (500) MPa (bar)
18071	1/4" (F)-(M) BSP	50 (500) MPa (bar)
18072	1/4" - 1/4"-27 (M) NPT	50 (500) MPa (bar)
18073	1/4" - 1/8" (F)-(M) BSP	50 (500) MPa (bar)

18070



18072



18071/18073



## Mobile grease pumps for 12 to 180 kg drums

Consisting of pump (pressure ratio 60:1 or 80:1), 1/4" quick coupling, drum lid, grease hose, z-swivel and grease control valve.

With 60:1 grease pump capacity appr. 1.000 g/min.

With 80:1 grease pump capacity appr. 730 g/min.

Part No	For container	Ratio	Hose length	Trolley
12200	12-20 kg	60:1	2 m	-
12201	12-20 kg	60:1	2 m	28528
12205	50 kg	60:1	3 m	28528
12305	50 kg	60:1	3 m	28526
12210	180 kg	60:1	3 m	28667
12213	180 kg	60:1	3 m	28645
12214	180 kg	60:1	10m hose reel	28645
12220	12-20 kg	80:1	2 m	-
12221	12-20 kg	80:1	2 m	28528
12225	50 kg	80:1	3 m	28528
12325	50 kg	80:1	3 m	28526
12230	185 kg	80:1	3 m	28667
12233	185 kg	80:1	3 m	28645

12200

12220



12201

12221



12205

12225



12214



12210

12230





## Mobile pump for chassis lube

Complete unit for 185 kg drum. Consisting of pump 22762, pressure ratio 15:1, 1/2"-hose (4 m) with quick coupling for transferring grease to vehicle chassis lube containers. Delivered with trolley for 185 kg drum, drum cover and follower plate.

### Part No

22057



## Mobile grease pumps for 12-20 kg and 50 kg drums

Consisting of a pump (pressure ratio 55:1) capacity approx. 600 g/minute, 1/4" quick coupling, drum lid, grease hose, z-swivel and grease control valve.

Part No	For container	Ratio	Hose length	Trolley
12130	12-20 kg	55:1	2 m	-
12121	12-20 kg	55:1	2 m	28528
12131	50 kg	55:1	3 m	28528
12134	12-20 kg	55:1	2 m	25510
12135	50 kg	55:1	3 m	26511

12130

12121



12134

12135



## Mobile grease pumps, "de-luxe", for 12-20 kg and 50 kg drums

Consists of a pump fitted to the lid of a protective container, incl. air coupling, grease hose, z-swivel and grease control valve. The container is mounted on a trolley fitted with four wheels.

Part No	For container	Ratio	Hose length	Trolley
12234	12-20 kg	60:1	2 m	25510
12235	50 kg	60:1	3 m	25611

12235

12234





## Empty packaging

Part No	Description
1825106	Bucket 20 kg (Ø295mm x 375mm).
2345386	Empty container 60L (Ø365mm x 680mm)

## Filler kit for screw-in type cartridges and lever grease guns

Adapter kit to use a single grease pump for normal greasing using a grease hose and grease control valve, as well as filling up screw-in type cartridges and grease guns directly using loader nipples. Includes adapter for screw-in type cartridges, dust cover and loader nipples. Empty cartridges sold separately.

Part No	Description
SPEC1201	Filler kit for screw-in type cartridges and lever grease guns
1315630	Empty screw-in cartridge
1315656	Dust cover for 14713



## Portable grease pump

Portable grease pump, complete with hose and hydraulic coupling.

Part No	Capacity	Dimension	Maximum pressure	Volume
11027	7,5 gr/stroke	490x240x630 mm	35 (350) MPa (bar)	16 kg
11028	10-20 gr/stroke	380x170x620 mm	35 (350) MPa (bar)	16 kg
11639	30 gr/stroke	490x240x639 mm	15 (150) MPa (bar)	16 kg



## High pressure grease pump

Pump mounts directly to a standard grease drum. Handle, drum lid, high pressure hose, outlet tube and hydraulic coupling included.

Part No	Capacity	Dimension	Maximum pressure
11116	2 gr/stroke	Ø 265-310 mm	35 (350) MPa (bar)
11118	2 gr/stroke	Ø 285-330 mm	35 (350) MPa (bar)



## Foot operated grease pump

Heavy duty, durable and compact. Grease hose (1,5 metres) and hydraulic nozzle included.

Part No	Capacity	Maximum pressure	Volume
11310	2 gr/stroke	50 (500) MPa (bar)	5 kg



## Grease reservoir filler pump

Medium pressure pump with 1,5 m hose for centralised grease reservoir filling. Quick connectors ordered separately.

Part No	Description	For container	Dimension
11713	Loader pump for grease 12-18 kg drums.	12-18 kg	265- 310 mm
11714	Loader pump for grease 20 kg drums	20 kg	285-330 mm
11715	Loader pump for grease 50 kg drums	50 kg	350-395 mm
1115650	T-adapter connection kit for filler pumps for 11713-15		
14713	Filling adapter for screw-in type cartridges		
1315656	Dust cover for 14713		
55500304	Quick release coupler female G1/4"(f) 35 Mpa		
55500306	Quick release coupler female G3/8"(f) 35 Mpa		
55500206	Quick release nipple male G3/8"(f) 31,5 Mpa		
11030	Filler pump for 400/500g cartridges		
1315660	Adapter for 11030 M20 x 1,5 (m)		
1315661	Adapter for 11030 M20 x 1,5 (m)		
1385111	T-screw kit for plastic buckets ( 20 kgs).		



## Heavy duty grease reservoir filler pump

For loading bulk grease into chassi systems with 1,5 m hose, follower plate, drum lid and quick connector for centralised grease reservoir filling. Capacity 50 gr/stroke.

Part No	Description	For container	Dimension
11238	Loader pump for grease reservoir 5 kg drums	5 kg	192-215 mm
11237	Loader pump for grease reservoir 15-18 kg drums	15-18 kg	240-300 mm
11235	Loader pump for grease reservoir 20 kg drums	20 kg	
11239	Loader pump for grease reservoir 25 kg drums	25 kg	312-342 mm
11236	Loader pump for grease reservoir 50 kg drums	50 kg	365-415 mm
1385112	T-screw kit for plastic buckets (20 kgs) for 1123X		



## Hand operated grease pump

Simple hand pump. The nozzle is pressed against the fitting. Made of zinc coated steel with plastic lid. Max. pressure 25 MPa (250 bar), capacity 0,6 cm<sup>3</sup>/stroke.

Part No	Type	Dimension	Volume
11001	Funnel/hydraulic nozzle	Ø 30 x 115 mm	60 cm <sup>3</sup>
11002	Pointed nozzle	Ø 30 x 115 mm	60 cm <sup>3</sup>
11003	Funnel nozzle	Ø 40 x 240 mm	150 cm <sup>3</sup>
11004	Pointed nozzle	Ø 40 x 240 mm	150 cm <sup>3</sup>
11005	Hydraulic nozzle	Ø 40 x 240 mm	150 cm <sup>3</sup>
11025	Funnel/hydraulic nozzle	Ø 30 x 115 mm	60 cm <sup>3</sup>



## Lever grease pump

For use either with bulk grease (filled by hand or by loader pump) or the international 400 g lubricant cartridge, Ø 53 x 237 mm. Outlet tube with hydraulic coupling included.

Part No	Description	Capacity	Maximum pressure
11205	Lever grease pump. Standard.	0,8 gr/stroke	35 (350) MPa (bar)
1120510	11205 with 200 mm grease hose - part.no 14042	0,8 gr/stroke	35 (350) MPa (bar)
1120520	11205 with 300 mm grease hose - part.no 14043	0,8 gr/stroke	35 (350) MPa (bar)
1120530	11205 with 450 mm grease hose - part.no 14044	0,8 gr/stroke	35 (350) MPa (bar)
11214	Lever grease pump. With large container (1000 cm <sup>3</sup> ),	0,8 gr/stroke	35 (350) MPa (bar)
14726	Adapter for lever grease pumps for using MLS threaded cartridges		
1315630	Empty screw-in cartridge		
11210	Lever grease pump. Industry.	0,8 gr/stroke	70 (700) MPa (bar)
1121020	Lever grease pump. Industrial with outlet hose 300mm.	0,8 gr/stroke	70 (700) MPa (bar)
11750	Lever grease pump. Heavy duty industrial version with outlet hose.	0,8 gr/stroke	75 (750) MPa (bar)
11207	Lever grease pump." Speedy Grease" with magnet	2,5 gr/stroke	80 (800) MPa (bar)
1315625	Follower plates, 24 pcs for 11207 Speedy Grease.		
1315627	Screw cartridge adapter 11205/07/10/50		
11220	Lever grease pump. Heavy duty	1,3 gr/stroke	70 (700) MPa (bar)
14727	Adapter for lever grease pumps for using MLS threaded cartridges		
11230	Lever grease pump. Extra heavy duty.	1,1-1,7 gr/stroke	70 (700) MPa (bar)



11205



11214



11210



11750



11207



11220



11230

## Lever grease pump (single hand operation)

Grease gun, operated by one hand, for use with either bulk grease (filled by hand or by loader pump) or the international 400 g lubricant cartridge, Ø 53 x 237 mm (Ø 2 3/32" x 9 1/3"). Outlet tube with hydraulic coupling (4 jaws, Ø 14 mm) included.

Part No	Capacity	Maximum pressure
11226	0,7 gr/stroke	45,5 (455) MPa (bar)
11225	0,8 gr/stroke	45,5 (455) MPa (bar)



11225



11226

## Air operated grease pump

Complete with air bleeder valve and connection thread for loader fitting (part No 18002), outlet with nozzle (4 jaws, Ø14 mm). Each operation of the trigger delivers approx. 1cm<sup>3</sup> of grease. Pressure ratio 60:1.

Part No	Capacity	Maximum pressure	Volume
12517	1 cm <sup>3</sup>	1 (10) MPa (bar)	500 cm <sup>3</sup>
12527	1 cm <sup>3</sup>	1 (10) MPa (bar)	1000 cm <sup>3</sup>



## Grease outlet hoses

High pressure hose, 4,8 mm i.d. nitrile rubber with one polyester braid PN 40 MPa (400 bar) and swaged couplings.

Part No	Thread	Length
14042	1/8" (M) BSPT	200 mm
14043	1/8" (M) BSPT	300 mm
14044	1/8" (M) BSPT	450 mm
14044AVLAST	1/8" (M) BSPT	450 mm
14047	1/8" (M) BSPT	1000 mm
14052	1/8" (M) BSPT	2500 mm



## Loader pump for grease pumps

For loading bulk grease into lever or air operated grease guns. Capacity 50 gr/stroke. Included loader nipples for Ø 9 and Ø 12 mm.

Part No	Description	Dimension
11710	Loader pump for grease 12- 18 kg	Ø265-310 mm
11711	Loader pump for grease 20 kg	Ø285- 330 mm
11712	Loader pump for grease 50 kg drums.	Ø350- 395 mm
14713	Filling adapter for screw-in type cartridges	
1315630	Empty screw-in cartridge	
1315656	Dust cover for 14713	



## Loader nipple

For loading bulk grease into 11200 and 12500-series pumps with a loader pump.

Part No	Dimension	Connection
18102	Ø12,5 mm	1/8" (M) BSP
18103	Ø12,5 mm	1/4" (M) BSP
18104	Ø9 mm	1/8" (M) BSP
18105	Ø9 mm	1/4" (M) BSP



## Magnet holder for lever grease pump

Part No	Description
14717	Magnetic holder for grease guns



## Cordless grease pump, 20V Li-Ion, heavy duty

For use with either bulk grease (filled by hand or by loader pump) or the international 400 g lubricant cartridge, Ø 53 x 237 mm. High pressure delivery up to 50 MPa (500 bar) and 100 / 160 gr/min., has a capacity to deliver 40 cartridges per battery charge (4,0 Ah). Supplied with one Li-Ion high capacity 20 V battery, fast charger, 1 metre high pressure flexible hose with hydraulic coupler, bleeder valve and loader nipple. A built in display shows remaining grease level, battery level and how much grease has been dispensed. Built-in LED flashlight. All delivered in a heavy duty carrying case.



Part No	Description	Capacity	Maximum pressure
13534	Battery powered grease gun 20V 4,0 Ah	100 / 160 gr/min	50 (500) MPa (bar)
13532	Battery powered grease gun 20V 2,0 Ah	100 / 160 gr/min	50 (500) MPa (bar)
1353401	20V Battery for 13523		
1353201	20V Battery for 13532		
1353402	Charger 230V for 13532 & 13534		

## Cordless grease pump, 14,4V Li-Ion

For use with either bulk grease (filled by hand or by loader pump) or the international 400 g lubricant cartridge, Ø 53 x 237 mm. High pressure delivery up to 69 MPa (690 bar) and 160 gr/min., has a capacity to deliver 17 cartridges per battery charge. Supplied with one Li-Ion high-capacity 14,4 V battery, fast charger, 1 metre high pressure flexible hose with hydraulic coupler, bleeder valve and loader nipple. All delivered in a heavy duty carrying case.



Part No	Capacity	Maximum pressure
13507	150 gr/min	45 (450) MPa (bar)

## Cordless grease pump, 20V Li-Ion

For use with either bulk grease (filled by hand or by loader pump) or the international 400 g lubricant cartridge, Ø 53 x 237 mm. High pressure delivery up to 69 MPa (690 bar) and 113 / 170 gr/min., has a capacity to deliver 15 cartridges per battery charge. Supplied with one Li-Ion high-capacity 20 V battery, fast charger, 1 metre high pressure flexible hose with hydraulic coupler, bleeder valve and loader nipple. A built in display shows remaining grease level, battery level and how much grease has been dispensed. Built-in LED flashlight. All delivered in a heavy duty carrying case.



Part No	Description	Capacity	Maximum pressure
13523	Cordless grease pump heavy duty 20V 2,5Ah Li-Ion	113/170 gr/min	69 (690) MPa (bar)
13524	Cordless grease pump heavy duty 20V 2x 2,5Ah Li-Ion	113/170 gr/min	69 (690) MPa (bar)
13526	Cordless grease pump heavy duty 20V 4,0Ah Li-Ion	113/170 gr/min	69 (690) MPa (bar)
13527	Cordless grease pump heavy duty 20V 2x 4Ah Li-Ion	113/170 gr/min	69 (690) MPa (bar)
1355050	20V Battery 4Ah for 13523, 24, 26, 27.		
1355060	Battery charger 230V for 14,4, 20V Li-Ion batteries		
14727	Adapter for lever grease pumps for using MLS threaded cartridges		



## Cordless grease pump, 18V Li-Ion

For use with either bulk grease (filled by hand or by loader pump) or the international 400 g lubricant cartridge, Ø 53 x 237 mm. High pressure delivery up to 45 MPa (450 bar) and 160 gr/min., has a capacity to deliver 5 cartridges per battery charge. Supplied with one high-capacity (Li-Ion) 18 V battery, fast charger, 1 metre high pressure flexible hose with hydraulic coupler, bleeder valve and loader nipple. All delivered in a heavy duty carrying case.

Part No	Description	Capacity	Maximum pressure
13517	Cordless grease pump heavy duty 18V Li-Ion	160 gr/min	45 (450) MPa (bar)
1355020	Battery Li-Ion for 13517 18V		
1355022	Battery charger 220-240V Li-Ion for 13516/13517		
14726	Adapter for lever grease pumps for using MLS threaded cartridges		



## Adapter for accordion cartridge

Part No	Fits
14534	13517
14535	11220, 11230, 11225
14536	11207
14538	13507, 13523, 13524, 13526, 13527



## Grease outlet tube

Grease pump outlet tubes. Connection thread: G1/8" (m).

Part No	Dimension	Thread	Nozzle
14715	Ø10 mm	1/8" (M)-(M) BSP	-
14517	Ø15 mm	1/8" (F) BSP	14512
14519	Ø18 mm	1/8" (F) BSP	14514



## Hydraulic nozzle

Connection thread on all nozzles G1/8" (f).

Part No	Description	Dimension	Jaws
14512	Hydraulic nozzle with connection thread G1/8" (f) Ø15 mm 4 jaws.	Ø15 mm	4 pce
14516	Hydraulic nozzle with non return valve G1/8" (f) Ø15 mm 4 jaws.	Ø15 mm	4 pce
14514	Hydraulic nozzle G1/8"(f) Ø18 mm 3 jaws.	Ø18 mm	3 pce
14560	Hydraulic nozzle G1/8" (f) Ø14mm 3 jaws.	Ø14 mm	3 pce
14565	Hydraulic nozzle, lock-on G1/8" Ø14 mm - quick release	Ø14 mm	
14001	Hydraulic nozzle G1/8" (f) Ø18mm 3 jaws, adjustable 360°	Ø18 mm	3 pce
14523	Relief valve for relieving of locked nozzles, 90°		
14528	Relief valve for relieving of locked nozzles, straight		



## Slip-sleeve connectors

For easy change of different nozzles.

Part No	Connection
14015	1/8" (M) BSP
14016	1/8" (F) BSP
14017	Ø10 mm
14018	90° 14512
14019	90° 14514
14070	45 mm Pointed nozzle



## Slip-sleeve, needle nozzles

For connection to nozzle 14512 or 14560.

14071 14072 14073 14074 14076

Part No	Description	Length
14071	Slip-Sleeve connector needle nozzle Ø 6 mm.	33 mm
14072	Slip-Sleeve connector needle nozzle Ø 6 mm 45°	33 mm
14073	Slip-Sleeve connector needle nozzle Ø 1,5 mm	45 mm
14074	Slip-Sleeve connector needle nozzle Ø 2 mm.	45 mm
14076	Slip-Sleeve connectors 4 different in a plastic box.	



## Needle nozzles

Connects with G1/8" (f) to a hose or a rigid tube.

Part No	Description
14067	Needle nozzle with protection G1/8"(f).
14068	Needle nozzle with rubber tip G1/8"(f).
14069	Needle nozzle G1/8"(f).



## Button head nozzles

Connects with G1/8" (f) to a hose or a rigid tube.

Part No	Seals	For grease fitting	Height
14048	Metal	Ø16 / 15 mm 6-hex mm	20 mm
14046	Metal	Ø16 / 15 mm 6-hex mm	17 mm
14055	Rubber	Ø16/ 15 mm 6-hex mm	22 mm
14050	Rubber	Ø22 mm	28 mm
14056	Rubber	Ø22 mm	44 mm
14057	Metal	Ø22 mm	21 mm



## LUB nozzles

Connects with G1/8"(f) to a rigid tube.

Part No	Description
14005	LUB-nozzle connects with G1/8"(f) to a rigid tube. Zerk
14006	LUB-Nozzle connects with G1/8"(f) to a rigid tube. Flush



## The grease joint rejuvenator

Simply fill the tool with a light oil and with a few taps the joint will open. The grease joint rejuvenator will allow a clogged grease fitting and / or joint to take on grease by injecting a light viscosity oil into the grease joint via the grease fitting, thus breaking up and removing any dirt, rust or debris. The purpose of this tool is to free up the joint and the fitting enabling them to be greased. When using the tool, be sure to bleed any air out that may be trapped in the tool body. Once the tool is installed onto the grease fitting, only a tapping of the piston is required to open a joint.

Part No	Description
11015	Grease joint rejuvenator.



## Bearing packer

This unit removes old grease from the race and cage of roller or ball bearings and re-packs them with fresh grease. Includes a protective cover to keep dirt out when not in use and has mounting holes for attaching it to a workbench.

Part No
11709





## Grease spray unit

Air pressure operated grease spray unit for spraying grease directly from screw type cartridges. The unit delivers a constant quantity as long as the trigger is pulled. Flat or round spray pattern can be adjusted. Includes quick connector that fits Cejn 320 or Tema 1600. Applications: Spraying grease onto chains, wire ropes, open gears, slide ways, telescopic booms, etc.



Part No	Maximum air pressure
12519	0,3-0,5 (3-5) MPa (bar)

## Grease spray valve

Grease control valve with air connection for application of grease on larger surfaces. Grease and air hose included. The air mixture can be adjusted using a needle valve.



Part No	Air connection	Hose length	Connection
12512	1/4" (M) BSP	3m Grease	3/8" (M) BSP

## Thread gauge

Thread gauge for grease fittings.

Part No	Description
19100	Thread gauge BSP
19101	Thread gauge NPT
19102	Thread gauge M



## Hydraulic grease fittings

Manufactured according to DIN 71412.

Material: Zinc coated steel, hardened head.

Stainless Steel equivalent to SS 2346 (AISI303).

Principal: Jaws grip the fitting head, metallic seal (rubber on certain models). The nozzle is twisted off the fitting when greasing is complete.



509 / 509F

547K

525

Part No	Description
<b>509F</b>	Grease fitting, R1/8", straight
<b>509FROSTFRI</b>	Grease fitting, R1/8", straight, stainless steel
<b>509</b>	Grease fitting, 1/8"NPT, straight
<b>509ROSTFRI</b>	Grease fitting, 1/8"NPTF, straight, stainless steel
<b>1669B</b>	Grease fitting, 1/8" NPTF
<b>1684B</b>	Grease fitting, 1/8" NPTF, length 54mm
<b>512</b>	Grease fitting, G1/4", straight
<b>512ROSTFRI</b>	Grease fitting, G1/4", straight, stainless steel
<b>515</b>	Grease fitting, G3/8", straight
<b>504</b>	Grease fitting, M6X1, straight
<b>504ROSTFRI</b>	Grease fitting, M6X1, straight, stainless steel
<b>1697</b>	Grease fitting, M6X1, length 19mm
<b>505</b>	Grease fitting, M8X1, straight
<b>505ROSTFRI</b>	Grease fitting, M8X1, straight, stainless steel
<b>507</b>	Grease fitting, M8X1,25, straight
<b>580</b>	Grease fitting, M10X1, straight
<b>580ROSTFRI</b>	Grease fitting, M10X1, straight, stainless steel
<b>516</b>	Grease fitting, W1/4", straight
<b>511</b>	Grease fitting, W3/8", straight
<b>513K</b>	Grease fitting, 1/4"-28 SAE-LT, straight
<b>1698</b>	Grease fitting, 1/4"-28 SAE, length 21mm
<b>TEC500</b>	Grease fitting, Ø6mm, drive fitting
<b>501</b>	Grease fitting, Ø8 mm, drive fitting
<b>502</b>	Grease fitting, Ø 5/16", drive fitting
<b>519F</b>	Grease fitting, R1/8", 45°
<b>519</b>	Grease fitting, 1/8" NPTF, 45°
<b>NA58051</b>	Grease fitting, G1/4", 45°
<b>NA7206</b>	Grease fitting, M6X1, 45°
<b>505B</b>	Grease fitting, M8X1, 45°
<b>515ROSTFRI</b>	Grease fitting, M8X1 45°, stainless steel
<b>514B</b>	Grease fitting, M8X1,25, 45°
<b>584</b>	Grease fitting, M10X1, 45°
<b>547K</b>	Grease fitting, 1/4"-28 SAE-LT, 45°
<b>535F</b>	Grease fitting, R1/8", 90°
<b>535</b>	Grease fitting, 1/8" NPTF, 90°
<b>538</b>	Grease fitting, G1/4", 90°
<b>576</b>	Grease fitting, M6X1, 90°
<b>577</b>	Grease fitting, M8X1, 90°
<b>514</b>	Grease fitting, M8X1,25, 90°
<b>583</b>	Grease fitting, M10X1, 90°
<b>525</b>	Grease fitting, 1/4"-28 SAE-LT, 90°, Long

## Grease fitting selection

Part No	Description
19002	Assortment box with the 17 most commonly used hydraulic fittings. Contains an assortment of G1/4", G1/8", G3/8", M10x1, M8x1 and M6x1, in 45° and 90° design, in all a total of 350 fittings. The box is made of crush proof plastic.
19009	Contains an assortment of M6x1, M8x1,25, M10x1 and G 1/8" in straight, 45° and 90° design, in all a total of 140 fittings. The box is made of plastic with 12 different compartments.



## Protection cover for grease fittings

Protects hydraulic grease fittings from ingress of dirt.

Part No	Description
P499	Protection cover (red) for grease fittings.
P499G	Protection cover (yellow) for grease fittings.



## LUB grease fittings

Material: Zinc coated steel.

Principal: The pump nozzle is pressed against the fitting, metallic seal.

Part No	Description
109	LUB grease fitting, R1/8", straight
127	LUB grease fitting, G1/8" straight
129	LUB grease fitting, G1/4", straight
185	LUB grease fitting M6X1 straight
107	LUB grease fitting M8X1,25 straight
108	LUB grease fitting M10X1, straight
110	LUB grease fitting, W5/16", straight
101	LUB grease fitting, ø6 mm, straight drive
121	LUB grease fitting, Ø6 mm, straight drive
102	LUB grease fitting, ø8 mm, straight drive
120	LUB grease fitting, Ø8 mm, straight drive
143	LUB grease fitting 450 G1/8" flush



## Button head fittings

Material: Zinc coated steel / stainless steel equivalent to SS 2346 (AISI303).

Principal: The nozzle grips the flange of the fitting when slid or pushed on, metallic or rubber seal.



Part No	Description
1824	Button head fitting G1/4" Ø22mm
ND6151	Button head fitting G3/8", Ø 22 mm
1822A	Button head fitting 3/8"NPTF Ø22mm
18201	Button head fitting 1/2"NPTF Ø22mm
ND6172	Button head fitting G1/8", Ø 16 mm
A1184	Button head fitting short 1/8"NPTF Ø16mm
ND6160	Button head fitting G1/4", Ø 16 mm
ND6161	Button head fitting G3/8", Ø 16 mm
A1186	Button head fitting 1/4" NPTF Ø16mm
A1188	Button head fitting 3/8" NPTF Ø16mm
A1190	Button head fitting 1/2" NPTF Ø16mm
M101FZ	Button head fitting M10X1 Ø16
M101RO	Button head fitting M10X1 Ø16mm stainless steel
208	Button head fitting 15mm hexagon G1/8".
208ROSTFRI	Button head fitting 15mm hexagon G1/8"
211	Button head fitting 15mm hexagon G1/4"
211ROSTFRI	Button head fitting 15mm hexagon G1/4".

## Extension

Makes it possible to extend a lubricant fitting for ease of lubrication.

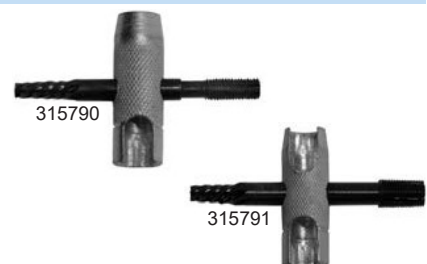
Part No	Thread
171	1/8" -1/8" (F)-(M) BSP



## Fitting tool

All-in-one tool to extract broken fittings, re-thread holes and install new straight and angle-type fittings.

Part No	Description
315790	Fitting tool 1/4"-28 SAE
315791	Fitting tool 1/8" NPT



## Air treatment units

Part No	Description	Type	Connection
42103	FR-Unit with valve 1/4"	42009, 42107, 42110	1/4" (F) BSP
42105	FRL-Unit with valve 1/4"	42107, 42009, 42108, 42110	1/4" (F) BSP
2026154	Bracket		
2226155	Hose Air 0,15Mx1/4" G1/4"(f)-90°G1/4"(f)		



## Air line hoses

For connection from pipeline to pump. PUR hose max. working pressure 1.5 MPa (15 bar), push-in connectors with male thread.

Part No	Dimension	Thread	Length
48101	8 (5/16") mm (inch)	1/4" - 1/4" (M)-(M) BSP	1,5 m
48102	8 (5/16") mm (inch)	1/4" - 1/4" (M)-(M) BSP	3 m
48105	12 (1/2") mm (inch)	1/2" - 1/2" (M)-(M) BSP	1,5 m
48106	12 (1/2") mm (inch)	1/2" - 1/2" (M)-(M) BSP	3 m

48101



## Inlet strainer

Filter for grease pumps 12750-52, 12755-57, 12560-62. The strainer is mounted directly on to the inlet to prevent any contamination of the grease.

Part No
1125372



## Bung adapters

With split collar. G2" (m) thread for drum or drum covers.

Part No	Pump	Pump tube
28590	12852	Ø 40 mm
28591	12750, 12751, 12752, 12755, 12756, 12557, 12650, 12651, 12652.	Ø 30 mm
28586	12540, 12541, 12542	Ø 26 mm

28586



## Dust cover for drum adapter

Part No	Description
29057	Dust cover for drum adapter

29057



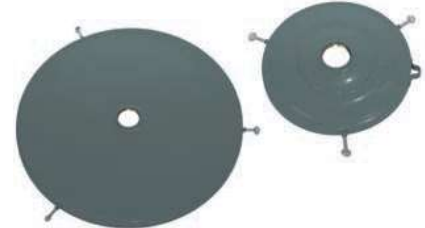
## Drum covers

Made of sheet metal with G2" (f) thread for the pump bung adapter and three retaining screws.

Part No	For container	Dimension	Pump
18544	12,5-20 kg	275-305 mm	127-ser
18545	18-20 kg	290-327 mm	127-ser
18546	50 kg	345-380 mm	127-ser
18543	50 kg	360-405 mm	127-ser
18542	180 kg	560-605 mm	127-ser
18548	50 kg	360-405 mm	128-ser
18547	180 kg	560-605 mm	128-ser

18542

18544



## Drum cover accessories

Part No	Description
1485016	Screw kit drum cover (3 pcs)
1125357	Carrying handle for drum cover 18544.
1385111	T-screw kit for plastic buckets ( 20 kgs).
18507	Grease gun holster for drum lids
18561	Holder for greasegun

1385111



18507



1125357

## Follower plates

Eliminate cavitation and help pump priming. Rubber flange minimises waste by wiping the inner drum wall. Can be used with pump tube diameters 26-42 mm.

Part No	For container	Dimension	Pump
18569	12,5 kg	230-260 mm	127-ser
18570	18-20 kg	265-290 mm	127-ser
18575	25 kg	300-330 mm	127-ser
18571	50 kg	340-360 mm	127-ser
18572	50 kg	365-395 mm	127-ser
18573	180 kg	560-590 mm	127-ser
18576	50 kg	330-370 mm	128-ser
18577	50 kg	360-405 mm	128-ser
18578	180 kg	550-590 mm	128-ser



## Adapter for follower plates

Attaches to the follower plate to further maximise emptying of the grease drum. Fits all follower plates.

Part No	Description
18565	Grease adaptor Ø30 mm
18566	Grease adaptor Ø35 mm
18316	Connecting kit ram for 12821, 12831 & 12841

18565



## Grease line filter

For installation in grease distribution pipework (grease outlets). Constructed using washers which provide simplified cleaning. The filter withstands high pressure drops which eliminates the risk of damaging the filter when filled with impurities. Check with grease supplier if the grease you are using can be filtered.

Part No	Thread	Maximum pressure	Filtration
14527	3/8" 1/2" 3/4" (M) BSP	50 (500) MPa (bar)	100 µm



## Distribution hoses for grease

High pressure hose, 1/4" i.d., double braided nitrile rubber. Burst pressure min 140 MPa (1400 bar), swaged couplings, connection threads G1/4" (f) swivelling nuts incl. two adapters G1/4" (m) and one bushing G1/4" (f) - G3/8" (m). Other lengths are available upon request.

Part No	Thread	Maximum pressure	Hose length
18122	1/4" 3/8" (F)-(M) BSP	140 (1400) MPa (bar)	2 m
18123	1/4" 3/8" (F)-(M) BSP	140 (1400) MPa (bar)	3 m
18124	1/4" 3/8" (F)-(M) BSP	140 (1400) MPa (bar)	4 m
18125	1/4" 3/8" (F)-(M) BSP	140 (1400) MPa (bar)	5 m
18127	1/4" (F)-(M) BSP	140 (1400) MPa (bar)	7 m
18129	1/4" 3/8" (F)-(M) BSP	140 (1400) MPa (bar)	10 m
18130	1/4" 3/8" (F)-(M) BSP	140 (1400) MPa (bar)	12 m
18131	1/4" 3/8" (F)-(M) BSP	140 (1400) MPa (bar)	15 m
18132	1/4" 3/8" (F)-(M) BSP	140 (1400) MPa (bar)	20 m

18122



## Grease supply hoses

High pressure hose, 3/8" i.d., double wire braided nitrile rubber with swaged couplings and two connection adapters, G3/8" (m). Burst pressure min. 112 MPa (1.120 bar). Other lengths are available upon request.

Part No	Thread	Maximum pressure	Hose length
18107	3/8" (F)-(M) BSP	112 (1120) MPa (bar)	1,5 m
18110	3/8" (F)-(M) BSP	112 (1120) MPa (bar)	4 m
18112	3/8" (F)-(M) BSP	112 (1120) MPa (bar)	6 m
18111	3/8" (F)-(M) BSP	112 (1120) MPa (bar)	2 m

18107



## High volume grease supply hose

Part No	Dimension	Thread	Maximum pressure	Hose length
18150	12,5 (1/2") mm (inch)	1/2" (F)-(M) BSP	112 (1120) MPa (bar)	4 m



## Grease accumulator

A piston accumulator is used in-line in a grease distribution system. It creates a buffer so that when dispensing grease, the flow is smoother and more even and the load on the grease pump is decreased.

Part No	Dimension	Inlet	Volume	Length
24665	Ø115 mm	1/2" (F) BSP	2,0 l	445 mm





